



ଓଡ଼ିଶା ସରକାର
ପଞ୍ଚାୟତିରାଜ ଓ ପାନାୟତନ ବିଭାଗ
Government of Odisha
Panchayati Raj & D.W Department

ଓଡ଼ିଶା ଲୋକସେବା ଭବନ
ଘଟିବାଇ ମାର୍ଗ, ଭୁବନେଶ୍ୱର-୭୫୧୦୦୧
Odisha Lok Seva Bhawan,
Sachibalaya Marg,
Bhubaneswar – 751001
Fax. 0674 – 2391413
E-mail-prsec.or@nic.in

No. PR-RS-POLICY-0009-2018/19980/PR&DW;

Date: 07/09/2023

From

Shri Sushil Kumar Lohani, IAS

Principal Secretary to Government

To

All Collectors

All CDO-cum-EOs, Zilla Parishads

Sub: Guidelines for setting up of Biogas plants under GOBARdhan scheme of SBM-G - reg.

Madam/ Sir,

With reference to the above-cited subject, I am to inform you that one of the key components under the Swachh Bharat Mission-Grameen Phase II scheme, is the GOBARdhan program under which Biogas plants are to be set up in the rural areas. The biogas plants will convert the cow dung waste generated in the villages into useful resources.

In this regard, the Department after discussions with OREDA, has decided to take up community-level bio-gas plants in the rural areas of the State with incentive support from SBM-G. The following are the modalities and procedures to implement the same:

1. Community Groups and Institutions running Gaushalas in rural areas like Trusts, Milk Unions/ Cooperatives, NGOs, and FPOs having cattle populations shall be eligible to take up Community-level biogas plants.
2. Only those institutions having a minimum of 15 no. of cattle inside a single premise shall be eligible.
3. Standard size of 6 cu.m. community biogas plant costing about Rs. 98,000 can be taken up. (Model, design and estimate for 6 cu.m. Deenabandhu model biogas plant is attached in Annexure 1).
4. Maximum of Rs. 50 lakhs per district is provisioned as per the SBM-G guidelines for taking up community biogas plants. The funding pattern per project will be in the ratio of 70:30 in which 70% of the project cost will be supported as grant from SBM-G



funds while the remaining 30% of the project cost is to be borne by the beneficiary institution.

5. Invitation for applications shall be made through advertisement by the district in any widely circulated Odia daily along with display of notice in District website, office of the Collectors, CDOs, BDOs and GPs for wide dissemination to get maximum applications. A minimum of two months' time shall be given for submitting the application from the date of advertisement in the newspaper. The application format is attached in Annexure 2 and the advertisement format is attached in Annexure 3.
6. The complete applications along with all the relevant documents should reach the office of the CDO, Zilla Parishad on or before the last date as per the advertisement. The application can be submitted through post/ courier/ by hand.
7. The total number of applications received at the end of 2 months will be scrutinized at the district level as per the set eligibility criteria. A committee consisting of CDO, APD Technical, CDVO and BDO(HQ) will examine the proposals and share the eligible list with the respective Blocks for field verification by the Block AEs/JEs/GPTAs.
8. If the applications received are within the upper cap of Rs. 50 lakhs per district (71 applicants) then all the applications meeting the minimum eligibility criteria can be forwarded to the respective BDOs for verification. In case of more applications, priority will be given to community groups/ institutions with larger cattle populations.
9. AE/JE/GPTAs of respective Blocks will physically verify the site, number of cattle and land records submitted by the applicant institutions. Basing on the field verification report and recommendation of AE/JE/GPTA, the eligible applications will be approved at the block level and intimated to the CDO for records. In case there is an existing functional or non-functional bio-gas plant within the premise, the institute shall not be eligible under this scheme. Checklist for AE/ JE/GPTA for physical verification is attached in Annexure 4.
10. On completion of construction of the biogas plant by the beneficiary, the beneficiary shall intimate the same to the BDO in writing based on which, the AE/JE/GPTA will physically verify and certify it. Then one-time payment of maximum 70% of the cost of standard 6 cu.m. biogas plant (maximum Rs. 70,000) as subsidy shall be released to the beneficiary institution through PFMS from block level and the same to be intimated in writing to the beneficiary.
11. The respective beneficiary institutions shall be responsible for the construction, operation, and maintenance of the biogas plant along with the safe management of the bio-slurry. It must be ensured that the bio-slurry from plants is not disposed of in drains.
12. Tentative timeline for implementation of the GOBARdhan scheme:

Process	Timeline
Invitation of application	2 months from the date of advertisement in

	local daily
Scrutiny of proposal at District and forwarding to Block	15 days from last date of application
Field verification and sanctioning of projects	15 days from forwarding the eligible list to block for field verification
Construction by beneficiary institutions	4 months from sanction of the project
Payment to beneficiary	15 days post intimation by the beneficiary

It is therefore requested to finalise the beneficiaries as per the above instructions within the timeline and ensure smooth implementation of the GOBARdhan program in the State.

Yours faithfully



Principal Secretary to Govt.

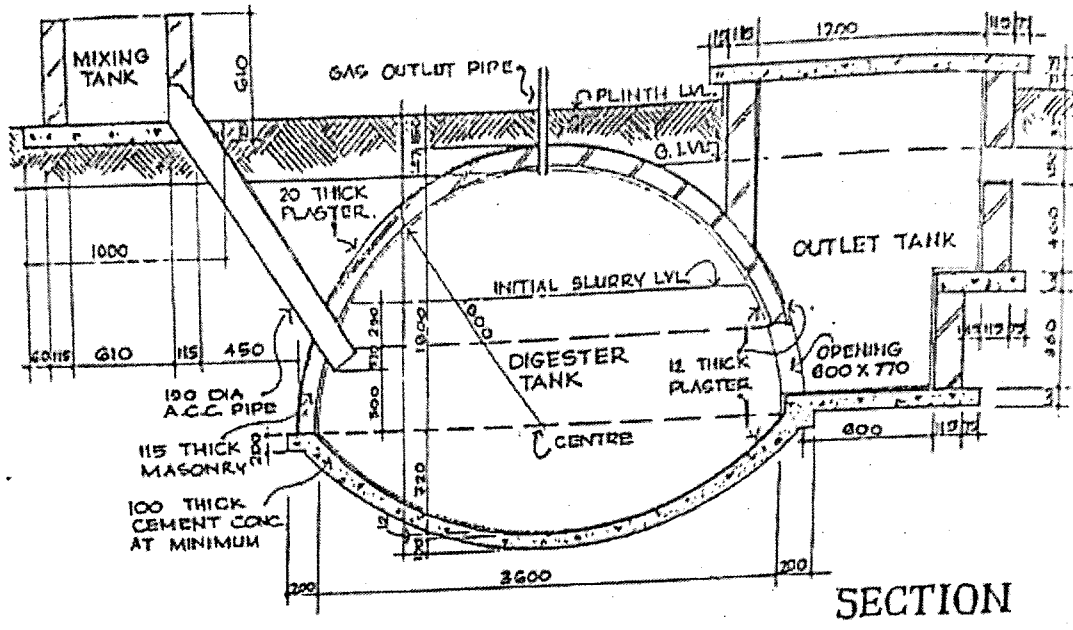
Encl: As above

CC: All BDOs for information and necessary action

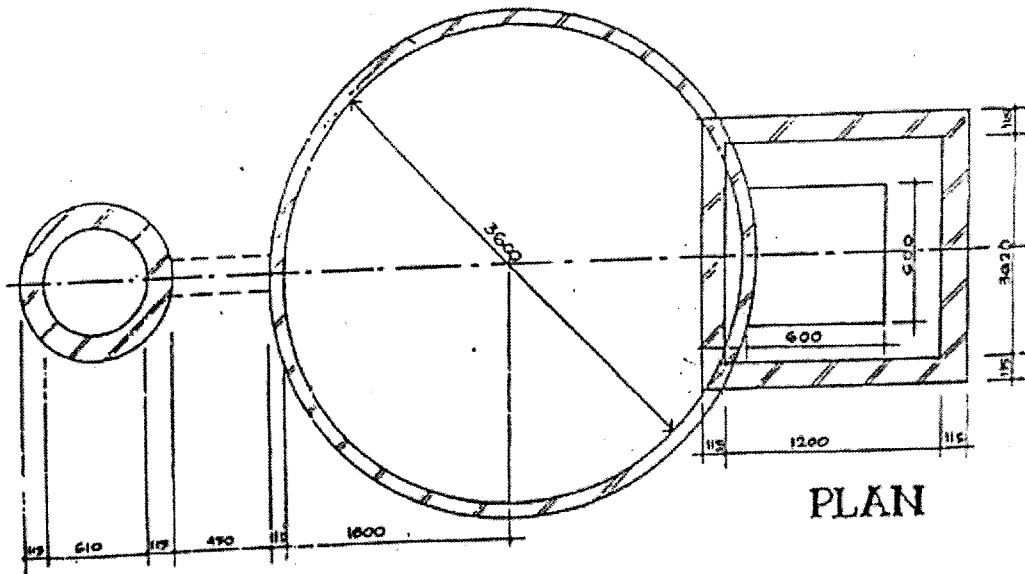
**Model Design and Estimate for Installation for 6 cubic meter Deenbandhu
Model cow dung based Biogas Plant**

SI No.	Description of materials	Quantity	Unit rate (in Rs.)	Approximate cost (in Rs.)	Remarks
1	Pit digging for foundation and RCC work	15 labours	500/- each	7,500.00	
2	Well brunt bricks	3000 nos.	@7,000/- per thousand	21,000.00	
3	Cement	32 bags	@350/- per bag	11,200.00	
4	Broken granite stone chips	150 cft	@60/- cft	9,000.00	
5	Sand (Coarse and fine @130 cft. each)	260 cft	@20/- cft	5,200.00	
6	Trained mason charges	12-man days	1,000/- per day	12,000.00	
7	Labour charges for construction (2-man days /day)	24-man days	500/- per day	12,000.00	
8	8 mm Iron rod and Binding wire etc.	50 kg	L.S	3,500.00	
9	Labour charges towards initial feeding of cow dung	10-man days	500/- per day	5,000.00	Additional labor charges
10	Inside painting of doom	3 litres of paint with painting charges	L.S	2,200.00	
11	Doom pipe and 6' AC pipe	2.1 meter	L.S	500.00	
12	Distribution pipeline (HDPE) with fitting accessories etc.	50 meters	L.S	3,500.00	
13	Double burner Chula	1 no.	2,200/-	2,200.00	
14	Transportation charges for Materials		L.S	3,000.00	
	Grand Total:			97,800.00	
			Rounded to	98,000.00	
			(Rupees ninety-eight thousand) only		

HRT 40 DAYS



SECTION



PLAN

DEEN BANDHU BIOGAS PLANT CAPACITY 6M³

1. ALL DIMENSIONS ARE IN M.M. 2. DIMENSIONS TO BE READ NOT TO BE MEASURED

Guiding Principle for Biogas Plants for Community Institutions and Groups

Biogas plants will facilitate the conversion of cow dung waste generated in the villages into useful resources. The biogas plants may be taken up by community groups and institutions running Gaushalas like Trusts, Milk Unions/ Cooperatives, NGOs and FPOs having cattle populations inside a single premise in rural areas.

Site Selection

1. The site should be situated within the institution's premise it aims to serve and it should have access to at least 15 cattle within the premise.
2. The site for biogas plant should be preferably at a higher level as compared to the surroundings so that accumulation of water can be avoided.
3. The site should have access to adequate water supply for the biogas plant's operations, including feedstock preparation, cleaning of equipment, and maintenance.
4. Biogas plant should be installed in the open space to have the full benefit of sunlight.

O&M

1. Biogas infrastructure should be owned, operated, and managed by the Institution itself.
2. The slurry left out from the digester is very rich in Nitrogen, and Phosphorus and is a good fertilizer for crops. Therefore, the slurry may be used directly in the fields, or it may be used after drying by converting into bio-fertilizers/ organic manure.

Application for Biogas plants under GOBAR-dhan

To

The CDO-cum-EO, Zilla Parishad

(District Name)

Date:

Name of the Beneficiary Institution:

Village:

GP:

Block:

District:

Contact mobile number:

Institution Category:					
Gaushalas	NGO	FPO	Milk Union/ Cooperatives	Trust	Others
Institution Details:					
Registration No					
President/Secretary Name					
Number of years of Operation					
PAN Card No (as applicable)					
Bank Account Number					
IFSC Code					
Branch Name & Address					
Institution Address					
Contact Number					
Land Details of the location of proposed Biogas plant					
Mouza-		Khata No-		Plot No-	
Area-		Kisam-		Tenant Name-	

(Photocopies of the relevant documents to be attached)

I, Sri/Smt in the capacity of (Designation) of organization is applying for the construction of a cu.m. biogas plant (minimum 6 cu.m.) of the Deenbandhu model. We have numbers of cattle inside our premises. We also declare that no biogas plant has been established within the premises as of date and we have sufficient land available inside the premises for the construction of a biogas plant. We undertake to complete the construction of the bio-gas plant within four months from the date of sanction and intimation to us by the BDO..... (Block Name). We agree to cooperate whenever any Government official visits for inspection of the plant and will provide all necessary information and support. We understand that the institution will have to take full responsibility for filling cattle dung in the plant and carry out necessary maintenance for the same. The slurry generated will be safely managed and will not be thrown in drains and open spaces. Photocopy of the relevant documents are enclosed.

Signature of the applicant

For office use only

Date:

Application No:

List of Documents Submitted:

1	Copy of Registration Details of Institution
2	Copy of PAN Card (as applicable)
3	Copy of Aadhar Card of President/Secretary
4	Copy of front page of bank passbook (with account details)
5	Copy of ROR/ Registered deed

Signature of Receiver

(With name & designation)

X-----X

Receipt of Application (To be handed over to the applicant at the time of submission)

Date:

Application no. submitted by Sri/Smt in the capacity of
(Designation) of organization along with the photocopies of all the relevant
documents has been duly received by the office of CDO, ZP (District Name) on Date
.....

Name of Receiving Officer:

Designation:

Signature:

Advertisement Format for Newspaper

Office of the CDO-cum-EO, Zilla Parishad, <District Name>

Address, Phone No-

Letter No. ____/ Date: _____

Invitation of Application for Biogas Plant under GOBARDhan Scheme

Applications are invited from Community Groups and Institutions running Gaushalas like Trusts, Milk Unions/ Cooperatives, NGOs and FPOs having cattle population of 15 or more inside a single premise in rural areas, to establish Community-level biogas plants under the GOBARDhan scheme of SBM-G. Please refer to Website <https://panchayat.odisha.gov.in/> for complete information, guidelines and application format. The application format can be downloaded from the website and submitted to the respective CDO-cum-EO, ZP. The last date & time of submission of application is _____.

For any queries, please contact _____

By Order,

Checklist for Physical Verification by AE/JE/GPTA

Application No:

Name of the Beneficiary Institution:

Village:

GP:

Block:

District:

Contact mobile number:

Institution Category:					
Gaushalas	NGO	FPO	Milk Union/ Cooperatives	Trust	Others
Institution Details:					
Registered				Yes/No	
Registration No					
President/Secretary Name					
Period of Operation (in complete years)					
Land Details of the location of proposed Biogas plant:					
Availability of land for construction (in sq. ft.)					
Clear land title (land in the name of the institution)				Yes/No	
Existing biogas plant inside the premises				Yes/No	
Cattle Details:					
Availability of cattle shed inside premises				Yes/No	
Total no. of cattle (Buffalo/Cow/Bull)					

Recommended/ Not Recommended

Place: _____

Date: _____

Signature

(Name of AE/ JE/ GPTA)

(Designation)

(Block Name)